

## Two Prayers for Lent

Ever-present God,  
may we come to know you better during this time of Lent.  
May the sacrifices we make  
and the extra love that we show bring us closer to you,  
so that we may feel your presence  
in our daily lives.

**Amen.**

Lord, we thank you for the challenges that Lent brings:  
for the struggles we face to be less selfish,  
and for the joy of reaching out to others.

**Amen.**

prepare, give and pray

## Our next All Age Service:

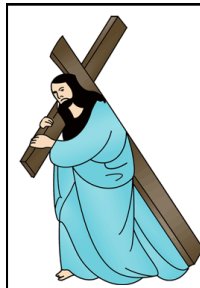
Good Friday Service  
Friday March 30th 2018

@ 10am

(and don't forget Easter Sunday...)

Look out for more information in March!

Put this date on your calendar at home



Welcome to St George's Junior Church. This is our 2nd children's magazine.

## What colour is used in church at this time of the year?

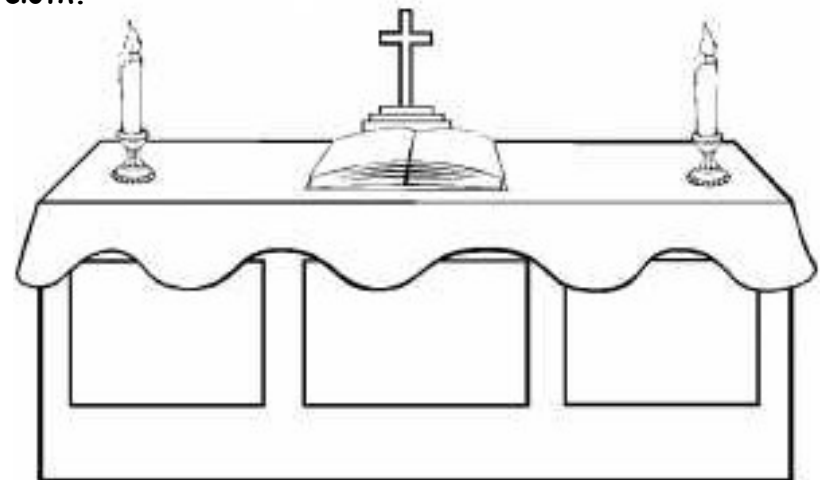
Have a look at the colour of cloth used on the altar and our Vicar's robes. Do you know that they change over the year?

In January and early February we are in the season of **Epiphany** and green is used. On Ash Wednesday (14th Feb), **Lent** starts and the colour changes to purple until the day before Good Friday.

### Why?

Green is used in Epiphany because it stands for the growth of the spirit of God in us. In Lent, it's purple because it stands for sadness and forgiveness.

What colour is on the altar today? Colour in the altar cloth.



## What is Lent?

Lent is the 6 weeks or 40 days (not counting Sundays) leading up to Easter, the most important time in the Christian calendar.

Lent starts on Ash Wednesday and the last week is called Holy Week.

During the 40 days of Lent, we remember the time when Jesus went into the desert to fast and pray before beginning his work for God. During this time He was tempted several times by the devil but was able to resist. Lent is a time of preparation for Easter.

## On the Road to Easter—Word search.

L Y P U Y F Q I J F L E E N S P N W Q B  
 E E A I D A O E B A O L A H Y A O L K U  
 R T N D P V D R V S V P K W A L I G M L  
 Z E L T N A O S G T E R S Q D M T C U N  
 E B T K H U S F E I G U H W Y B C G Y X  
 X M M S C L S S V N V P T M T R E V J M  
 P V U J A Y B M O G D E H M R A R R P S  
 H O L Y W E E K L V J E N B O N R X S Q  
 J E S U S N Y N O A E W W E F C U P Q M  
 Y A D I R F D O O G P R U H S H S F X M  
 Y A D S R U H T Y D N U A M S S E L P A  
 H O L Y S A T U R D A Y R E Y A R P O L

Ash Wednesday	Easter	fasting
forgiveness	forty days	Good Friday
Holy Saturday	Holy Week	Jesus
Lent	love	Maunder Thursday
palm branch	Palm Sunday	Passover
prayer	purple	resurrection

## A Lent Calendar for colouring.

Count down the days to Easter Sunday by colouring in each section.

